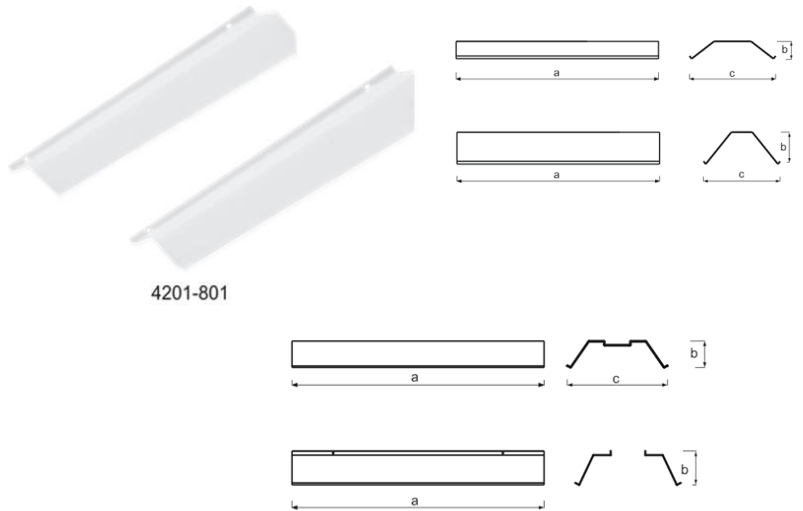




SPF

We switch on the world safely

Components



Specifications

Body: DKP sheet

Paint: Electrostatic powder paint

System and Product Certificates



120/230V 50/60

Code No	Type	Dimensions(mm)	Weight
		axbxc	Kg
4201-801	18W TMS Batten Reflector Set	612x65x-	0,61
4201-802	36W TMS Batten Reflector Set	1224x65x-	1,25
4201-803	58W TMS Batten Reflector Set	1523x65x-	1,53
4201-806	18W No Screw Batten Reflector Set	620x100x220	0,60
4201-807	36W No Screw Batten Reflector Set	1230x100x220	1,20
4201-808	58W No Screw Batten Reflector Set	1530x100x220	1,50
4201-815	18W Locked Type Batten Reflector Set	590x70x212	0,90
4201-816	36W Locked Type Batten Reflector Set	1200x70x212	1,80
4201-817	58W Locked Type Batten Reflector Set	1500x70x212	2,25
4201-810	18W Sheet Body Batten Reflector Set	630x65x-	0,63
4201-811	36W Sheet Body Batten Reflector Set	1240x65x-	1,24
4201-812	58W Sheet Body Batten Reflector Set	1540x65x-	1,54
4201-821	36W Fiberglass Batten Reflector Set	1270x50x230	1,45
4201-822	58W Fiberglass Batten Reflector Set	1560x50x230	1,78
4201-841	18W Aluminium Batten Reflector Set	630x100x222	0,60
4201-842	36W Aluminium Batten Reflector Set	1240x100x222	0,90
4201-843	58W Aluminium Batten Reflector Set	1540x100x222	1,20